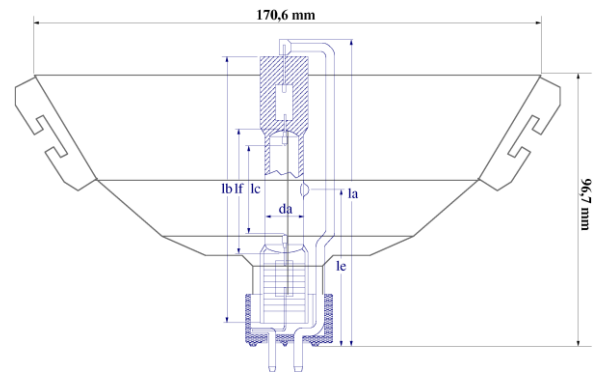
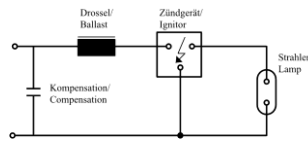


Technical Data

HN Sunlight

CLASSICS

| | |
|---|---------------------|
| Lamp | OH C 1169 R E |
| Article | 45006186 |
| Lifetime | 500 h |
| Reduction on UV based on 20h value | 30 % |
| Useful operating life | 700 h |
| Lamp wattage nom. | 700 W |
| Line voltage | 230 V |
| Lamp voltage | 135 V |
| Lamp current | 5,8 A |
| cycle | 25' / 5' (on/off) |
| burning position | vertical |
| Ignition retardation | 30s |
| ballast | 700W HP |
| ignitor | 3,5-5,0kVp, 10A |
| bulb temperature * | 650°C - 950°C |
| pinch temperature * | < 300°C |
| *) deviations may reduce product-lifetime | |
| socket | GY9,5 mit Reflektor |
| pinchtype | RIFFEL/HS |



| | | | |
|-----------------------|----------|---------------------------|---------|
| total length (la) | 107,0 mm | length of glass bulb (lb) | 92,0 mm |
| bulb diameter (da) | 24,5 mm | electrode distance (lc) | 29,0 mm |
| Lichtschwerpunkt (le) | 55 mm | | |

Label (s=side, l=line):

| | |
|---------|--------------------------|
| Box 2 | CLASSICS |
| Box 3 | OH C 1169 R E - 45006186 |
| Box 4 | Made in Germany |
| Box 5 | XXXX CE Mülltonne |
| Box 6 | Barcode (HNSL-ID) |

Socket s | 1 | 1 OH C 1169 R E - 45006186
 Socket s | 1 | 2 Made in Germany XXX

If there is no other agreement, you will find the DateCode on the packaging and the socket of the lamp. The DateCode is an alphanumeric code with 3 digits for the date of production. The first two digits stand for the calendar week and the third digit for the year. Example: 471 = week 47 in 2011

The data given are based on average data und has been determined by measurements made in the laboratory under standard conditions. There could be minor deviations due to technical and/or physical reasons.

HN Sunlight GmbH reserves the right to alter the illustrations and technical data in this Technical Data Sheet. The latest updated version of the Technical Data Sheet is prevailing. It is within the customer's responsibility to check whether he is in possession of the latest updated version of the Technical Data Sheet.

Contraindication: This product is contraindicated for use on persons under the age of 18 years.
 Contraindication: This product must not be used if skin lesions or open wounds are present.
 Warning: This product should not be used on individuals who have had skin cancer or have a family history of skin cancer.
 Warnine: Persons repeatedly exposed to UV radiation should be regularly evaluated for skin cancer.

HN Sunlight GmbH - Original Hanau
 Amberg-Haus, Kurt-Blaum-Platz 2
 63450 Hanau
 Tel.: +49 6181 490 23 12
 Fax: +49 6181 490 23 80
 E-mail: info@original-hanau.com
 www.original-hanau.com

automatically processed at: 13.01.2016

